



**For FA/Machine Vision  
Fixed Focal**

# HF12.5SA-1

Applicable camera (model)

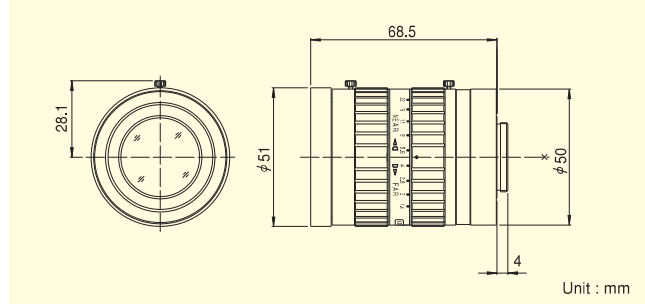
|   |     |     |     |     |
|---|-----|-----|-----|-----|
| 1 | 2/3 | 1/2 | 1/3 | 1/4 |
|---|-----|-----|-----|-----|

- FIXED**  
Fixed Focal
- 5 Mega**  
For Megapixel Camera
- MANUAL**  
Manual Iris
- C-mt**  
C Mount
- METAL**  
Metal Mount
- F1.4**  
Wide Aperture Rate

**NEW**



- High-resolution design, providing support for up to 5 megapixel camera resolution.
- Rear focusing system provides improved performance in macro photography.
- Wide-aperture (F1.4) design achieves clear images under low light intensity.
- Enhanced image recognition accuracy achieved by reduction of distortion and improvement of illumination uniformity.
- Robust enclosure resistant to vibrations and shocks. Equipped with locking knobs for the iris and the focus.



|                                             |       |                 |
|---------------------------------------------|-------|-----------------|
| Focal Length (mm)                           |       | 12.5            |
| Iris Range                                  |       | F1.4 ~ F22      |
| Operation                                   | Focus | Manual          |
|                                             | Iris  | Manual          |
| Angle Of View (H×V)                         | 2/3"  | 38°47' × 29°35' |
|                                             | 1/2"  | 28°43' × 21°44' |
|                                             | 1/3"  | 21°44' × 16°23' |
| Focusing Range (From Front Of The Lens) (m) |       | ∞ ~ 0.1         |
| Object Dimensions at M.O.D. (H×V) (mm)      | 2/3"  | 83 × 62         |
|                                             | 1/2"  | 60 × 45         |
|                                             | 1/3"  | 45 × 34         |
| Back Focal Distance (in air) (mm)           |       | 16.07           |
| Exit Pupil Position (From Image Plane) (mm) |       | -101            |
| Filter Thread (mm)                          |       | M49 × 0.75      |
| Mount                                       |       | C               |
| Mass (g)                                    |       | 295             |

- Remarks
- With Metal Mount
  - With Locking Knob for Iris and Focus

FIXED FOCAL LENGTH LENSES



**For FA/Machine Vision  
Fixed Focal**

# HF16SA-1

Applicable camera (model)

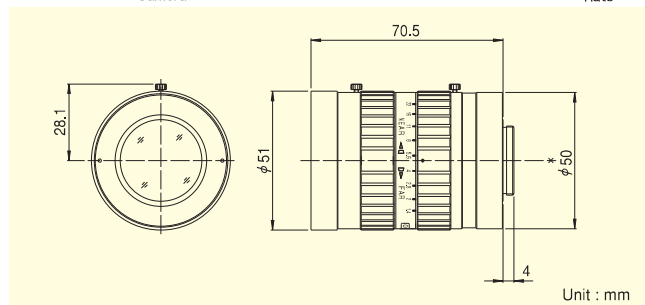
|   |     |     |     |     |
|---|-----|-----|-----|-----|
| 1 | 2/3 | 1/2 | 1/3 | 1/4 |
|---|-----|-----|-----|-----|

- FIXED**  
Fixed Focal
- 5 Mega**  
For Megapixel Camera
- MANUAL**  
Manual Iris
- C-mt**  
C Mount
- METAL**  
Metal Mount
- F1.4**  
Wide Aperture Rate

**NEW**



- High-resolution design, providing support for up to 5 megapixel camera resolution.
- Rear focusing system provides improved performance in macro photography.
- Wide-aperture (F1.4) design achieves clear images under low light intensity.
- Enhanced image recognition accuracy achieved by reduction of distortion and improvement of illumination uniformity.
- Robust enclosure resistant to vibrations and shocks. Equipped with locking knobs for the iris and the focus.



|                                             |       |                 |
|---------------------------------------------|-------|-----------------|
| Focal Length (mm)                           |       | 16              |
| Iris Range                                  |       | F1.4 ~ F22      |
| Operation                                   | Focus | Manual          |
|                                             | Iris  | Manual          |
| Angle Of View (H×V)                         | 2/3"  | 30°45' × 23°18' |
|                                             | 1/2"  | 22°37' × 17°04' |
|                                             | 1/3"  | 17°04' × 12°50' |
| Focusing Range (From Front Of The Lens) (m) |       | ∞ ~ 0.1         |
| Object Dimensions at M.O.D. (H×V) (mm)      | 2/3"  | 69 × 51         |
|                                             | 1/2"  | 50 × 37         |
|                                             | 1/3"  | 37 × 28         |
| Back Focal Distance (in air) (mm)           |       | 17.99           |
| Exit Pupil Position (From Image Plane) (mm) |       | -172            |
| Filter Thread (mm)                          |       | M49 × 0.75      |
| Mount                                       |       | C               |
| Mass (g)                                    |       | 285             |

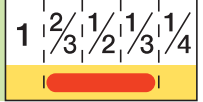
- Remarks
- With Metal Mount
  - With Locking Knob for Iris and Focus



## For FA/Machine Vision Fixed Focal

# HF25SA-1

Applicable camera (model)



**FIXED**

Fixed Focal

**5 Mega**

For Megapixel Camera

**MANUAL**

Manual Iris

**C-mt**

C Mount

**METAL**

Metal Mount

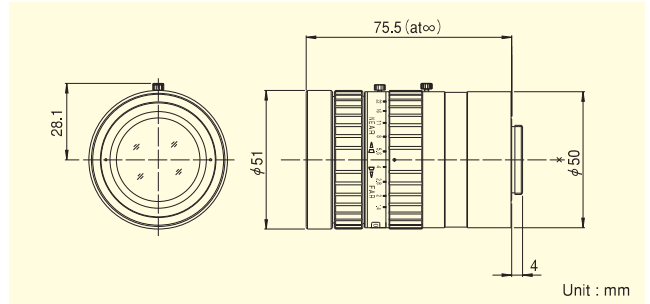
**F1.4**

Wide Aperture Rate

**NEW**



- High-resolution design, providing support for up to 5 megapixel camera resolution.
- Wide-aperture (F1.4) design achieves clear images under low light intensity.
- Enhanced image recognition accuracy achieved by reduction of distortion and improvement of illumination uniformity.
- Robust enclosure resistant to vibrations and shocks. Equipped with locking knobs for the iris and the focus.



Unit : mm

|                                             |       |                 |
|---------------------------------------------|-------|-----------------|
| Focal Length (mm)                           |       | 25              |
| Iris Range                                  |       | F1.4 ~ F22      |
| Operation                                   | Focus | Manual          |
|                                             | Iris  | Manual          |
| Angle Of View (H×V)                         | 2/3"  | 19°58' × 15°02' |
|                                             | 1/2"  | 14°35' × 10°58' |
|                                             | 1/3"  | 10°58' × 8°14'  |
| Focusing Range (From Front Of The Lens) (m) |       | ∞ ~ 0.1         |
| Object Dimensions at M.O.D. (H×V) (mm)      | 2/3"  | 44 × 33         |
|                                             | 1/2"  | 32 × 24         |
|                                             | 1/3"  | 24 × 18         |
| Back Focal Distance (in air) (mm)           |       | 22.32           |
| Exit Pupil Position (From Image Plane) (mm) |       | -140            |
| Filter Thread (mm)                          |       | M49 × 0.75      |
| Mount                                       |       | C               |
| Mass (g)                                    |       | 315             |

Remarks

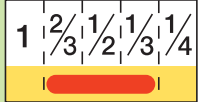
- With Metal Mount
- With Locking Knob for Iris and Focus



## For FA/Machine Vision Fixed Focal

# HF35SA-1

Applicable camera (model)



**FIXED**

Fixed Focal

**5 Mega**

For Megapixel Camera

**MANUAL**

Manual Iris

**C-mt**

C Mount

**METAL**

Metal Mount

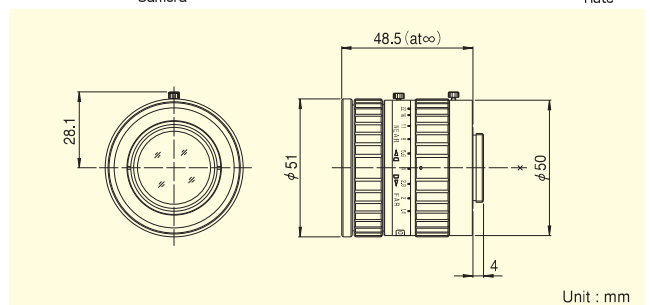
**F1.4**

Wide Aperture Rate

**NEW**



- High-resolution design, providing support for up to 5 megapixel camera resolution.
- Wide-aperture (F1.4) design achieves clear images under low light intensity.
- Enhanced image recognition accuracy achieved by reduction of distortion and improvement of illumination uniformity.
- Robust enclosure resistant to vibrations and shocks. Equipped with locking knobs for the iris and the focus.



Unit : mm

|                                             |       |                 |
|---------------------------------------------|-------|-----------------|
| Focal Length (mm)                           |       | 35              |
| Iris Range                                  |       | F1.4 ~ F22      |
| Operation                                   | Focus | Manual          |
|                                             | Iris  | Manual          |
| Angle Of View (H×V)                         | 2/3"  | 14°20' × 10°46' |
|                                             | 1/2"  | 10°27' × 7°51'  |
|                                             | 1/3"  | 7°51' × 5°53'   |
| Focusing Range (From Front Of The Lens) (m) |       | ∞ ~ 0.2         |
| Object Dimensions at M.O.D. (H×V) (mm)      | 2/3"  | 50 × 38         |
|                                             | 1/2"  | 37 × 27         |
|                                             | 1/3"  | 27 × 21         |
| Back Focal Distance (in air) (mm)           |       | 14.99           |
| Exit Pupil Position (From Image Plane) (mm) |       | -37             |
| Filter Thread (mm)                          |       | M49 × 0.75      |
| Mount                                       |       | C               |
| Mass (g)                                    |       | 185             |

Remarks

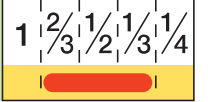
- With Metal Mount
- With Locking Knob for Iris and Focus



**For FA/Machine Vision  
Fixed Focal**

# HF50SA-1

Applicable camera (model)



**FIXED**  
Fixed Focal

**5 Mega**  
For Megapixel  
Camera

**MANUAL**  
Manual Iris

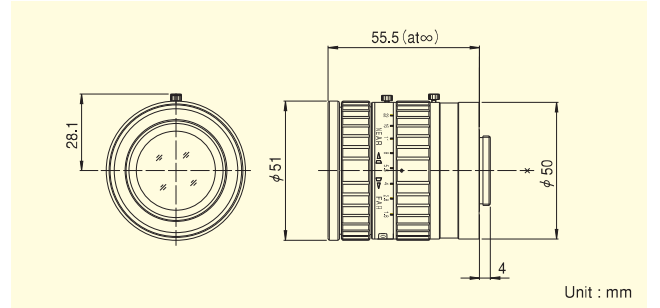
**C-mt**  
C Mount

**METAL**  
Metal Mount

**NEW**



- High-resolution design, providing support for up to 5 megapixel camera resolution.
- Wide-aperture (F1.8) design achieves clear images under low light intensity, despite the long focal distance.
- Enhanced image recognition accuracy achieved by reduction of distortion and improvement of illumination uniformity.
- Robust enclosure resistant to vibrations and shocks. Equipped with locking knobs for the iris and the focus.



Unit : mm

|                                             |       |                |
|---------------------------------------------|-------|----------------|
| Focal Length (mm)                           |       | 50             |
| Iris Range                                  |       | F1.8 ~ F22     |
| Operation                                   | Focus | Manual         |
|                                             | Iris  | Manual         |
| Angle Of View (H×V)                         | 2/3"  | 10°03' × 7°33' |
|                                             | 1/2"  | 7°19' × 5°30'  |
|                                             | 1/3"  | 5°30' × 4°07'  |
| Focusing Range (From Front Of The Lens) (m) |       | ∞ ~ 0.4 *1     |
| Object Dimensions at M.O.D. (H×V) (mm)      | 2/3"  | 70 × 52        |
|                                             | 1/2"  | 51 × 38        |
|                                             | 1/3"  | 38 × 28        |
| Back Focal Distance (in air) (mm)           |       | 17.81          |
| Exit Pupil Position (From Image Plane) (mm) |       | -49            |
| Filter Thread (mm)                          |       | M49 × 0.75     |
| Mount                                       |       | C              |
| Mass (g)                                    |       | 240            |

Remarks

- With Metal Mount
- With Locking Knob for Iris and Focus

\*1 Using an extension tube longer than 5mm will increase the M.O.D. to 0.3m.

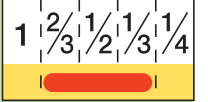
FIXED FOCAL LENGTH LENSES



**For FA/Machine Vision  
Fixed Focal**

# HF75SA-1

Applicable camera (model)



**FIXED**  
Fixed Focal

**5 Mega**  
For Megapixel  
Camera

**MANUAL**  
Manual Iris

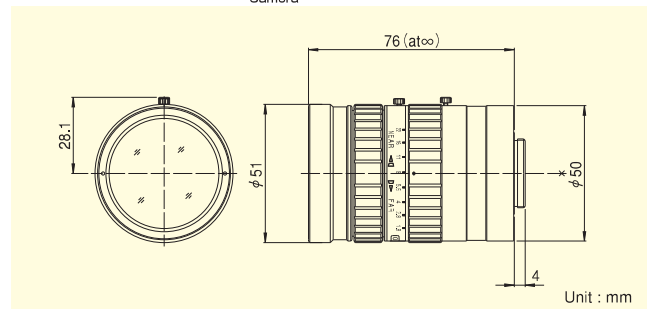
**C-mt**  
C Mount

**METAL**  
Metal Mount

**NEW**



- High-resolution design, providing support for up to 5 megapixel camera resolution.
- Wide-aperture (F1.8) design achieves clear images under low light intensity, despite the long focal distance.
- Enhanced image recognition accuracy achieved by reduction of distortion and improvement of illumination uniformity.
- Robust enclosure resistant to vibrations and shocks. Equipped with locking knobs for the iris and the focus.



Unit : mm

|                                             |       |               |
|---------------------------------------------|-------|---------------|
| Focal Length (mm)                           |       | 75            |
| Iris Range                                  |       | F1.8 ~ F22    |
| Operation                                   | Focus | Manual        |
|                                             | Iris  | Manual        |
| Angle Of View (H×V)                         | 2/3"  | 6°43' × 5°02' |
|                                             | 1/2"  | 4°53' × 3°40' |
|                                             | 1/3"  | 3°40' × 2°45' |
| Focusing Range (From Front Of The Lens) (m) |       | ∞ ~ 0.9 *2    |
| Object Dimensions at M.O.D. (H×V) (mm)      | 2/3"  | 101 × 76      |
|                                             | 1/2"  | 74 × 55       |
|                                             | 1/3"  | 55 × 41       |
| Back Focal Distance (in air) (mm)           |       | 24.43         |
| Exit Pupil Position (From Image Plane) (mm) |       | -52           |
| Filter Thread (mm)                          |       | M49 × 0.75    |
| Mount                                       |       | C             |
| Mass (g)                                    |       | 300           |

Remarks

- With Metal Mount
- With Locking Knob for Iris and Focus

\*2 Using an extension tube longer than 5mm will increase the M.O.D. to 0.5m.